

HTM 70/230...240

HALOTRONIC-COMPACT | Electronic transformers for low-voltage halogen lamps



- Effect and accent lighting
- Living rooms
- Object lighting
- Conference rooms
- Restaurants
- Recessed and surface-mounted furniture fixtures
- Shop lighting
- Event rooms

Product benefits

- Dimmable on the leading edge and trailing edge
- Very low power loss thanks to high efficiency
- Strain relief suitable for different cable types (HTM)
- Suitable for space-critical installation thanks to compact functional design
- Extremely compact transformer for highly space-critical installation conditions (HTN)
- Protective operation throughout the entire partial-load range for long lamp life

Product features

- Line frequency: 50...60 Hz
- RI suppression: to EN 55015 (A1: 2007)/CISPR 15, EN 55022
- Line harmonics: to EN 61000-3-2
- Immunity: to EN 61547
- Safety: to EN 61347
- Electrical isolation between the primary side and the secondary side
- Short-circuit protection, overload protection, overtemperature protection: electronically reversible

Technical data

Electrical data

Lamp wattage	20...70 W
Nominal voltage	230...240 V
Line current	0.27 A ¹⁾
Output voltage	11.2 / 11.2 V ²⁾
Operating frequency	52 kHz ³⁾
Rated power factor λ	0.99
Mains frequency	50...60 Hz

¹⁾ Effectively

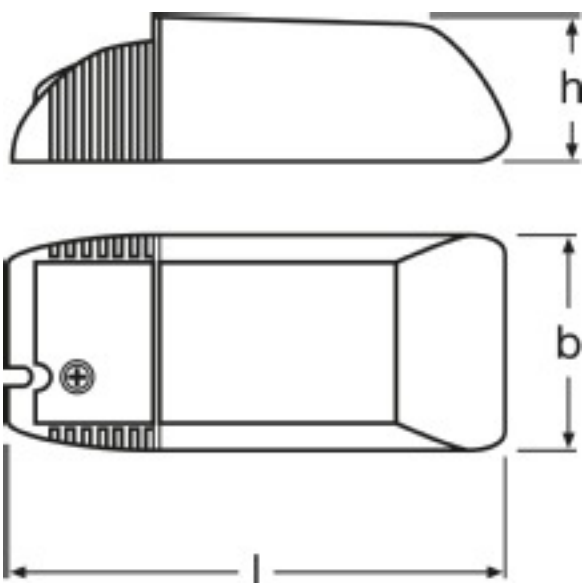
²⁾ 70 W / 20 W

³⁾ Approximately

Dimensions & weight

Length	108.0 mm
Product weight	110.00 g
Height	33.0 mm
Width	52.0 mm
Mounting hole spacing, width	-
Wire preparation length, input side	12 / 7.0 mm ¹⁾
Wire preparation length, output side	12 / 7.0 mm ¹⁾

¹⁾ Cable sheath / Wire



Product line drawing with letters

Additional product data

Design / version	Compact with cable clamp
-------------------------	--------------------------

Capabilities

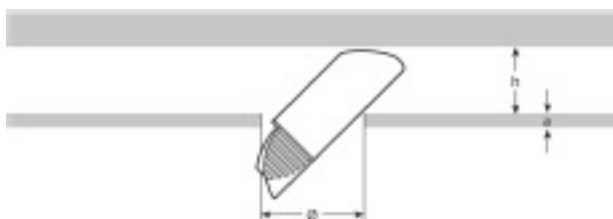
Dimmer	Trailing- or leading-edge phase control for inductive load dimmers
Dimming range	0...100 %
Dimmable	Yes
Overload protection	Automatic reversible
Overheating protection	Automatic reversible
Suitable for fixtures with prot. class	II

Certificates & standards

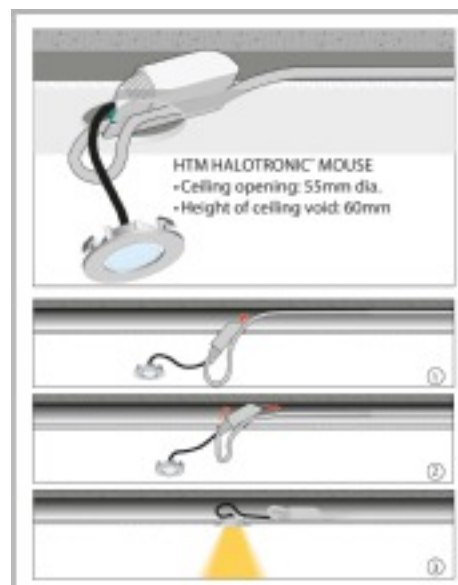
Approval marks – approval	VDE / VDE-EMC / E1 approval
----------------------------------	-----------------------------

Certificates & standards

Standards	acc. to EN 55015:2006 + A1:2007 / acc. to EN 61000-3-2 / acc. to EN 61547 / acc. to EN 61047 / acc. to IEC 61347
------------------	--



Product line drawing assembling



Others graphics

Logistical Data

Product code	Packaging unit (Pieces/Unit)	Dimensions (height x width x length)	Gross weight	Volume
4050300442310	Unpacked 1	- x - x -	108.00 g	
4050300442327	Shipping carton box 20	229 mm x 94 mm x 270 mm	2436.00 g	5.81 dm ³

Disclaimer

Subject to change without notice. Errors and omission excepted. Always make sure to use the most recent release.