

DULUX D 26 W/830 G24D-3

OSRAM DULUX D | CFLni, 2 tubes, with 2-pin base for CCG operation



- Offices, public buildings
- Shops
- Hotels, restaurants
- Industrial lighting

Product benefits

- Very economical
- Good quality of light
- Very good luminous flux
- Long service life
- Improved maintenance

Product features

- Short and compact pin-base lamp with double-turn tubes
- Average life: 10,000 h
- Color rendering index R_a : 80...89
- Single-ended two-pin plug-in GX24d base



Technical data

Electrical data

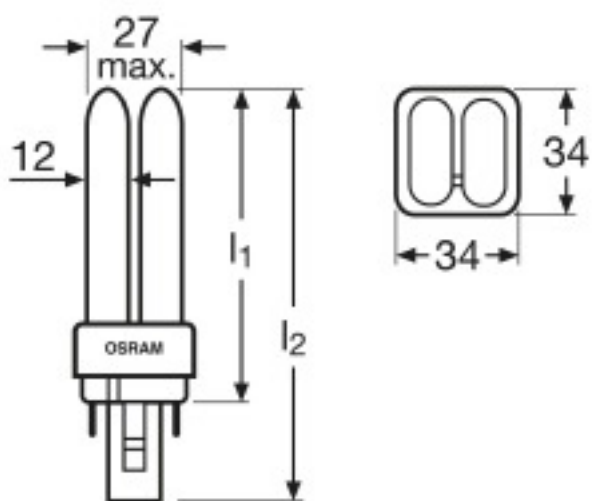
Nominal wattage	26 W
Rated lamp efficacy (standard condition)	69 lm/W
Rated wattage	26 W

Light technical data

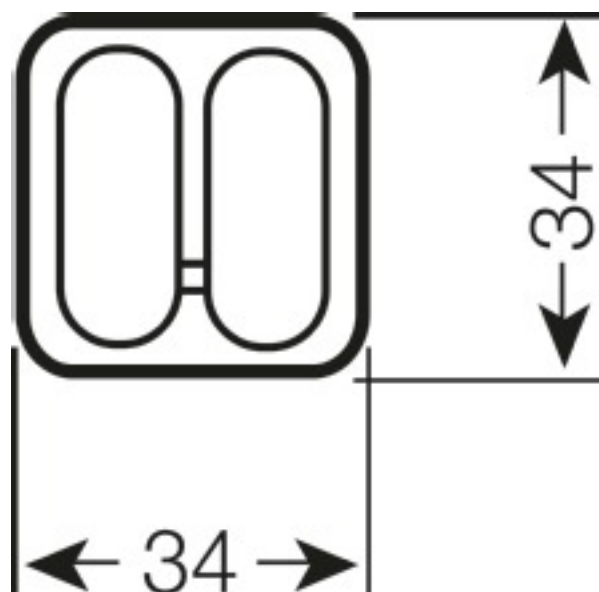
Color rendering index Ra	80...89
Rated luminous flux	1800 lm
Luminous flux at 25 °C	1800 lm
Light color	830
Color temperature	3000 K
Nominal luminous flux	1800 lm
Light color as per EN 12464-1	LUMILUX Warm White
Rated LLMF at 2,000 h	0.85
Rated LLMF at 4,000 h	0.78
Rated LLMF at 6,000 h	0.72
Rated LLMF at 8,000 h	0.68
Luminance	5.5 cd/cm ²

Dimensions & weight

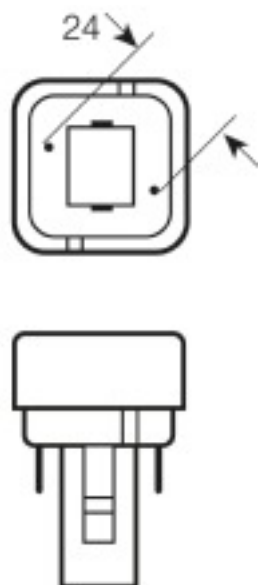
Tube diameter	12 mm
Length	172.0 mm
Length acc. to IEC standard	160 mm
Length with base excl. base pins/connection	149.00 mm



Product line drawing with numbers



Prod line drw, top, neutral dimensions



Base

Colors & materials

Lamp mercury content	1.4 mg
----------------------	--------

Temperatures

Rated ambient temp.w.max.luminous flux	25.0 °C
----------------------------------------	---------

Lifespan

Service life	6500 h
Rated lamp survival factor at 2,000 h	0.99
Rated lamp survival factor at 4,000 h	0.94
Rated lamp survival factor at 6,000 h	0.84
Rated lamp survival factor at 8,000 h	0.69
Operation mode LLMF/LSF	50 Hz
Lifespan	10000 h ¹⁾

¹⁾ With CCG/LLCG

Additional product data

Base (standard designation)	G24d-3
Appropriate disposal acc. to WEEE	Yes

Capabilities

Suitable for indoor	Yes
---------------------	-----

Certificates & standards

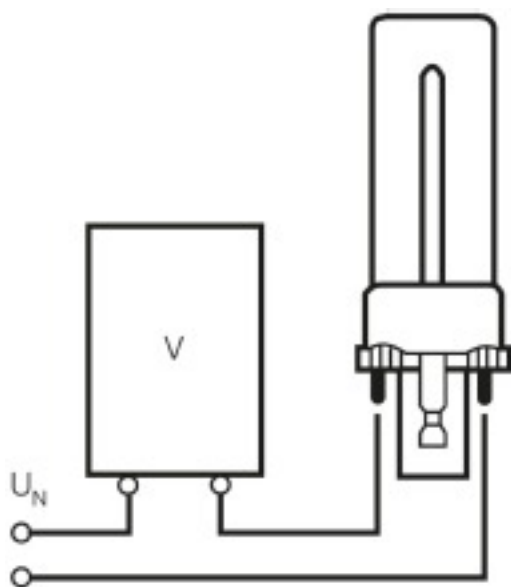
EEI – Energy Label	B
--------------------	---

Equipment / Accessories

- Suitable for operation on conventional control gear

Safety advice

In case of lamp breakage: www.osram.com/brokenlamp



Circuit diagram

Disclaimer

Subject to change without notice. Errors and omission excepted. Always make sure to use the most recent release.