

L 58 W/77

FLUORA T8 | Tubular fluorescent lamps 26 mm, with G13 bases



- Wherever there is not enough natural daylight for plants
- Public buildings
- Offices
- Shops
- Supermarkets and department stores
- Restaurants

Product benefits

- Promotes photobiological processes in plants
- Promotes plant growth



Technical data

Electrical data

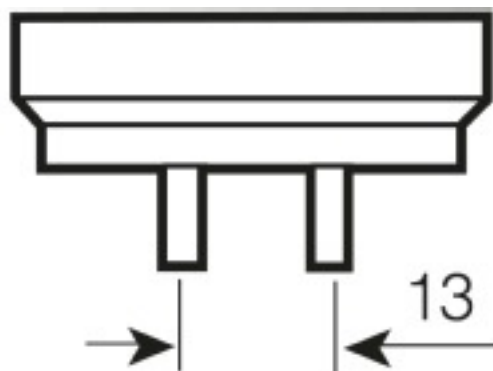
Nominal wattage	58 W
Rated lamp efficacy (HF data)	Under clarification by authority and standardization body
Rated wattage	58 W

Light technical data

Luminous flux at 25 °C	2250 lm
Light color	77
Color coordinates chromaticity diagram	0.338/0.243

Dimensions & weight

Tube diameter	26 mm
Length	1500.0 mm
Length with base excl. base pins/connection	1500.00 mm
Diameter	26.0 mm



G13
IEC 7004-51
DIN 49653 T1

Product line drawing with letters

Base

Colors & materials

Lamp mercury content	3.0 mg
----------------------	--------

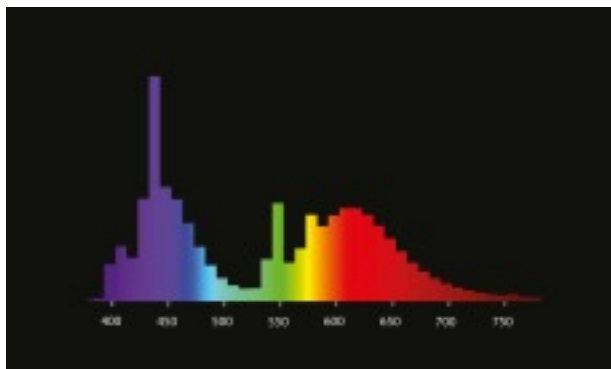
Lifespan

Lifespan	13000 h ¹⁾
----------	-----------------------

¹⁾ With preheat ECG

Additional product data

Base (standard designation)	G13
Appropriate disposal acc. to WEEE	Yes



Spectral power distribution

Lamp-ECG combination (System)

HF 1x58/230-240 DIM

Products

HF 1x58/230-240 DIM

HF 2x58/230-240 DIM

Products

HF 2x58/230-240 DIM

QT-FIT8 1x58-70

Products

QT-FIT8 1x58-70

QT-FIT8 2x58-70

Products

QT-FIT8 2x58-70

QTP5 1x54

Products

QTP5 1x54

QTP5 2x54

Products

QTP5 2x54

QTP8 1x58

Products

QTP8 1x58/230-240

QTP8 2x58

Products

QTP8 2x58/230-240

QTi 1x28/54/35/49 GII

Products

QTi 1x28/54/35/49 GII

QTi 1x58 DIM

Products

QTi 1x58 DIM

QTi 2x28/54/35/49 GII

Products

QTi 2x28/54/35/49 GII

QTi 2x58 DIM

Products

QTi 2x58 DIM

QTi DALI 1x58 DIM

Products

QTi DALI 1x58 DIM

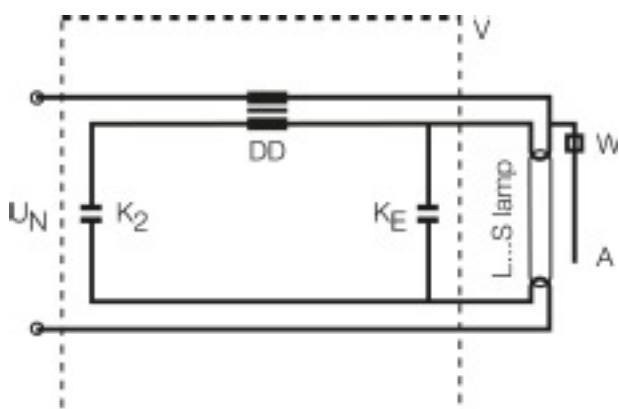
QTi DALI 2x58 DIM

Products

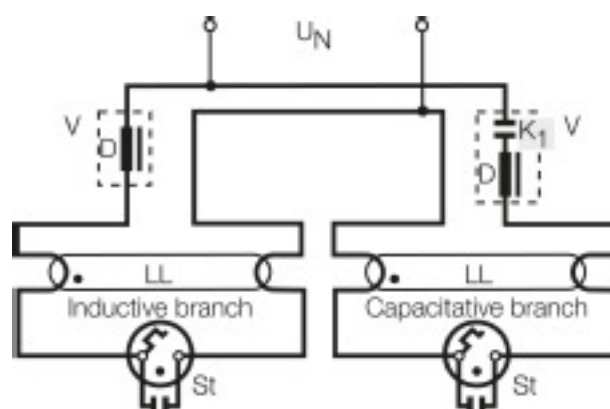
QTi DALI 2x58 DIM

Safety advice

In case of lamp breakage: www.osram.com/brokenlamp



Circuit diagram



Circuit diagram

Logistical Data

Product code	Packaging unit (Pieces/Unit)	Dimensions (height x width x length)	Gross weight	Volume
4050300004259	Sleeves 1	29 mm x 29 mm x 1515 mm	235.00 g	1.27 dm ³
4008321205421	Shipping carton box 10	150 mm x 64 mm x 1544 mm	2704.00 g	14.82 dm ³

References / Links

For more information on QUICKTRONIC electronic control gear go to

▶ www.osram.com/QUICKTRONIC

Disclaimer

Subject to change without notice. Errors and omission excepted. Always make sure to use the most recent release.