

L 36 W/77

FLUORA T8 | Tubular fluorescent lamps 26 mm, with G13 bases



- Wherever there is not enough natural daylight for plants
- Public buildings
- Offices
- Shops
- Supermarkets and department stores
- Restaurants

Product benefits

- Promotes photobiological processes in plants
- Promotes plant growth



Technical data

Electrical data

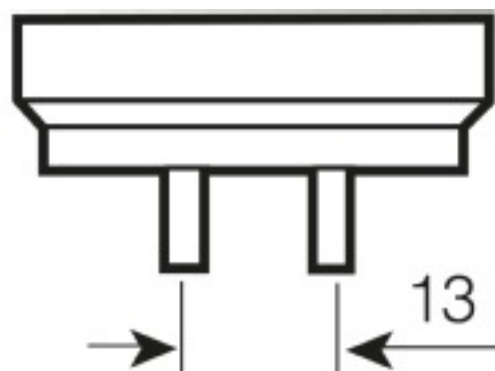
Nominal wattage	36 W
Rated lamp efficacy (HF data)	Under clarification by authority and standardization body
Rated wattage	36 W

Light technical data

Luminous flux at 25 °C	1400 lm
Light color	77
Color coordinates chromaticity diagram	0.338/0.243

Dimensions & weight

Tube diameter	26 mm
Length	1200.0 mm
Length with base excl. base pins/connection	1200.00 mm
Diameter	26.0 mm



G13
IEC 7004-51
DIN 49653 T1

Product line drawing with letters

Base

Colors & materials

Lamp mercury content	3.0 mg
----------------------	--------

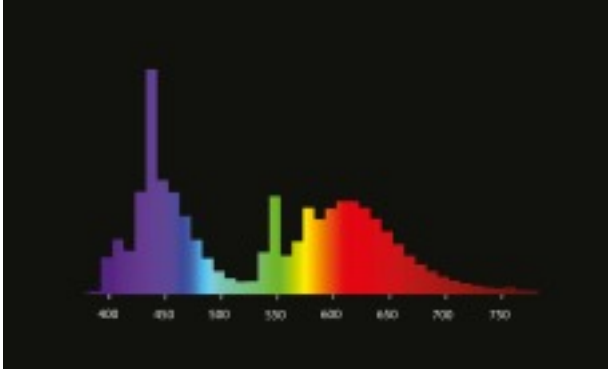
Lifespan

Lifespan	13000 h ¹⁾
----------	-----------------------

¹⁾ With preheat ECG

Additional product data

Base (standard designation)	G13
Appropriate disposal acc. to WEEE	Yes



Spectral power distribution

Lamp-ECG combination (System)

HF 1x36/230-240 DIM

Products

HF 1x36/230-240 DIM

HF 2x36/230-240 DIM

Products

HF 2x36/230-240 DIM

QT-FIT8 1x36

Products

QT-FIT8 1x36

QT-FIT8 2x36

Products

QT-FIT8 2x36

QT-FIT8 3x36

Products

QT-FIT8 3x36

QT-M 2x26-42/220-240 S

Products

QT-M 2x26-42/220-240 S

QTP-DL 1x36-40

Products

QTP-DL 1x36-40

QTP-DL 2x36-40

Products

QTP-DL 2x36-40

QTP-M 1x26-42

Products

QTP-M 1x26-42

QTP5 1x24-39

Products

QTP5 1x24-39

QTP5 2x24-39

Products

QTP5 2x24-39

QTP8 1x36

Products

QTP8 1x36/230-240

QTP8 2x36

Products

QTP8 2x36/230-240

QTi 1x14/24/21/39 GII

Products

QTi 1x14/24/21/39 GII

QTi 1x36 DIM

Products

QTi 1x36 DIM

QTi 2x14/24/21/39 GII

Products

QTi 2x14/24/21/39 GII

QTi 2x36 DIM

Products

QTi 2x36 DIM

QTi DALI 1x36 DIM

Products

QTi DALI 1x36 DIM

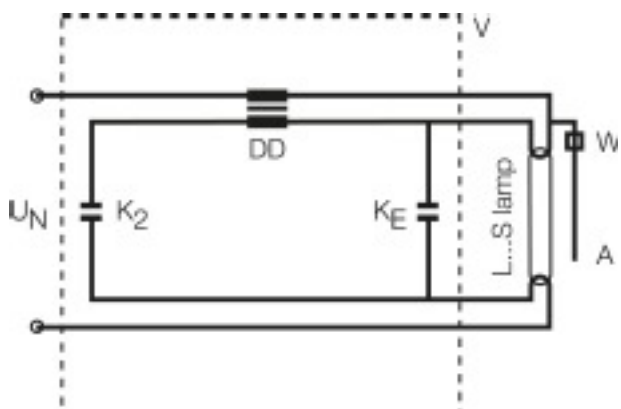
QTi DALI 2x36 DIM

Products

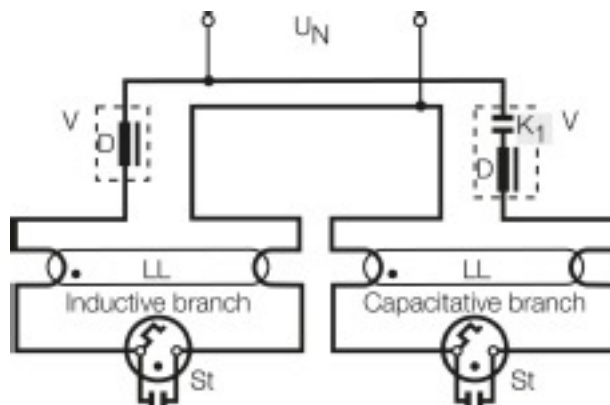
QTi DALI 2x36 DIM

Safety advice

In case of lamp breakage: www.osram.com/brokenlamp



Circuit diagram



Circuit diagram

Logistical Data

Product code	Packaging unit (Pieces/Unit)	Dimensions (height x width x length)	Gross weight	Volume
4050300003184	Sleeves 1	29 mm x 29 mm x 1215 mm	166.00 g	1.02 dm ³
4008321205339	Shipping carton box 10	150 mm x 64 mm x 1244 mm	1965.00 g	11.94 dm ³

References / Links

For more information on QUICKTRONIC electronic control gear go to

▶ www.osram.com/QUICKTRONIC

Disclaimer

Subject to change without notice. Errors and omission excepted. Always make sure to use the most recent release.