

## L 15 W/830

---

LUMILUX T8 | Tubular fluorescent lamps 26 mm, with G13 bases



- Public buildings
- Office lighting
- Industry
- Shops
- Supermarkets and department stores
- Street lighting

### Product benefits

---

- Up to 18 % higher luminous efficacy than conventional T8 BASIC lamps
- Good economy thanks to high efficiency

### Product features

---

- Very good lumen maintenance: >90 % throughout the life of the lamp
- Good color rendering group: 1B ( $R_a$  : 80...89)
- Dimmable
- Top-quality three-band phosphor: LUMILUX
- Available in many different light colors (2,700...8,000 K) for every application and preference



## Technical data

### Electrical data

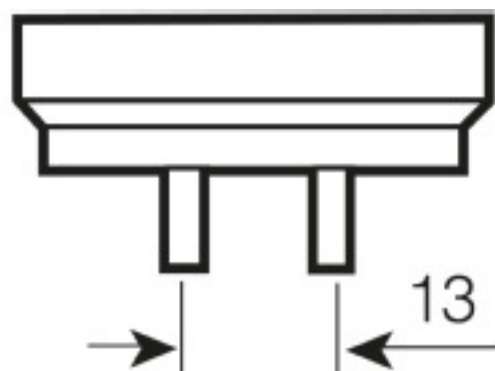
Nominal wattage	15 W
Rated lamp efficacy (HF data)	Under clarification by authority and standardization body
Rated lamp efficacy (standard condition)	63 lm/W
Rated wattage	15 W

### Light technical data

Color rendering index Ra	>=80
Rated luminous flux	950 lm
Luminous flux at 25 °C	950 lm
Light color	830
Color temperature	3000 K
Nominal luminous flux	950 lm
Light color as per EN 12464-1	LUMILUX Warm White
Rated LLMF at 2,000 h	0.95
Rated LLMF at 4,000 h	0.92
Rated LLMF at 6,000 h	0.91
Rated LLMF at 8,000 h	0.90
Rated LLMF at 12,000 h	0.89
Color coordinates chromaticity diagram	0.44/0.403

### Dimensions & weight

Tube diameter	26 mm
Length	438.0 mm
Length with base excl. base pins/connection	438.00 mm
Diameter	26.0 mm



G13  
IEC 7004-51  
DIN 49653 T1

Product line drawing with letters

Base

### Colors & materials

Lamp mercury content	2.5 mg
----------------------	--------

### Temperatures

Rated ambient temp.w.max.luminous flux	25.0 °C
--	---------

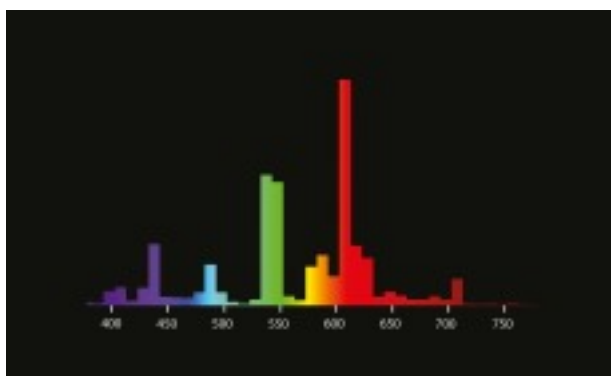
### Lifespan

Service life	16000 h <sup>1)</sup>
Lifespan	20000 h <sup>1)</sup>
Rated lamp survival factor at 2,000 h	0.99
Rated lamp survival factor at 4,000 h	0.99
Rated lamp survival factor at 6,000 h	0.99
Rated lamp survival factor at 8,000 h	0.99
Rated lamp survival factor at 12,000 h	0.90
Operation mode LLMF/LSF	50 Hz

<sup>1)</sup> With preheat ECG

**Additional product data**

Base (standard designation)	G13
Appropriate disposal acc. to WEEE	Yes



*Spectral power distribution*

**Capabilities**

Suitable for indoor	Yes
---------------------	-----

**Certificates & standards**

EEI - Energy Label	B
--------------------	---

## Lamp-ECG combination (System)

---

### QT-ECO 1x18-24/220-240 L

---

#### Products

QT-ECO 1x18-24/220-240 L

### QT-ECO 1x18-24/220-240 S

---

#### Products

QT-ECO 1x18-24/220-240 S

### QTP-DL 1x18-24

---

#### Products

QTP-DL 1x18-24

### QTP-DL 2x18-24

---

#### Products

QTP-DL 2x18-24

## System guarantee

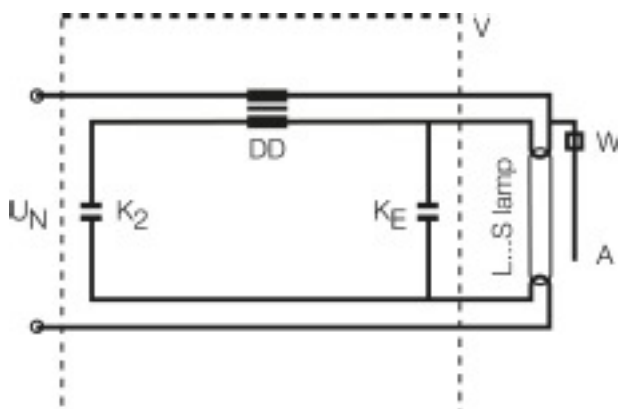
---

OSRAM System+ Guarantee in combination with OSRAM ECGs

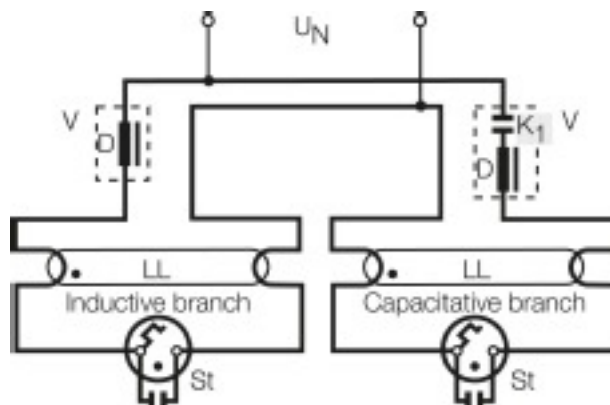
## Safety advice

---

In case of lamp breakage: [www.osram.com/brokenlamp](http://www.osram.com/brokenlamp)



Circuit diagram



Circuit diagram

**Logistical Data**

Product code	Packaging unit (Pieces/Unit)	Dimensions (height x width x length)	Gross weight	Volume
4050300446028	Sleeves 1	27 mm x 27 mm x 452 mm	74.00 g	0.33 dm <sup>3</sup>
4050300446035	Shipping carton box 25	145 mm x 230 mm x 396 mm	2009.00 g	13.21 dm <sup>3</sup>

## References / Links

---

For more information on the system guarantee and the terms and conditions of the guarantee visit

- ▶ [www.osram.com/system-guarantee](http://www.osram.com/system-guarantee)

For more information on QUICKTRONIC electronic control gear go to

- ▶ [www.osram.com/QUICKTRONIC](http://www.osram.com/QUICKTRONIC)

## Disclaimer

---

Subject to change without notice. Errors and omission excepted. Always make sure to use the most recent release.