

L 36 W/830

LUMILUX T8 | Tubular fluorescent lamps 26 mm, with G13 bases



- Public buildings
- Office lighting
- Industry
- Shops
- Supermarkets and department stores
- Street lighting

Product benefits

- Up to 18 % higher luminous efficacy than conventional T8 BASIC lamps
- Good economy thanks to high efficiency

Product features

- Very good lumen maintenance: >90 % throughout the life of the lamp
- Good color rendering group: 1B (R_a : 80...89)
- Dimmable
- Top-quality three-band phosphor: LUMILUX
- Available in many different light colors (2,700...8,000 K) for every application and preference



Technical data

Electrical data

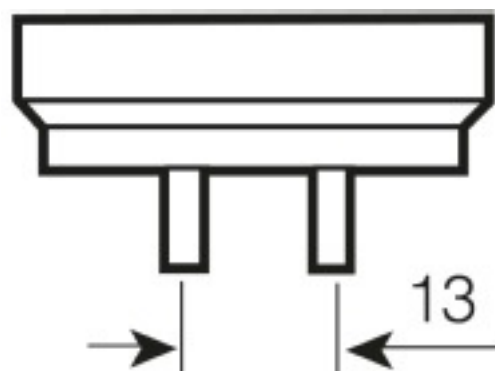
Nominal wattage	36 W
Rated lamp efficacy (HF data)	Under clarification by authority and standardization body
Rated lamp efficacy (standard condition)	93 lm/W
Rated wattage	36 W

Light technical data

Color rendering index Ra	>=80
Rated luminous flux	3350 lm
Luminous flux at 25 °C	3350 lm
Light color	830
Color temperature	3000 K
Nominal luminous flux	3350 lm
Light color as per EN 12464-1	LUMILUX Warm White
Rated LLMF at 2,000 h	0.95
Rated LLMF at 4,000 h	0.92
Rated LLMF at 6,000 h	0.91
Rated LLMF at 8,000 h	0.90
Rated LLMF at 12,000 h	0.89
Color coordinates chromaticity diagram	0.44/0.403

Dimensions & weight

Tube diameter	26 mm
Length	1200.0 mm
Length with base excl. base pins/connection	1200.00 mm
Diameter	26.0 mm



G13
IEC 7004-51
DIN 49653 T1

Product line drawing with letters

Base

Colors & materials

Lamp mercury content	2.5 mg
----------------------	--------

Temperatures

Rated ambient temp.w.max.luminous flux	25.0 °C
--	---------

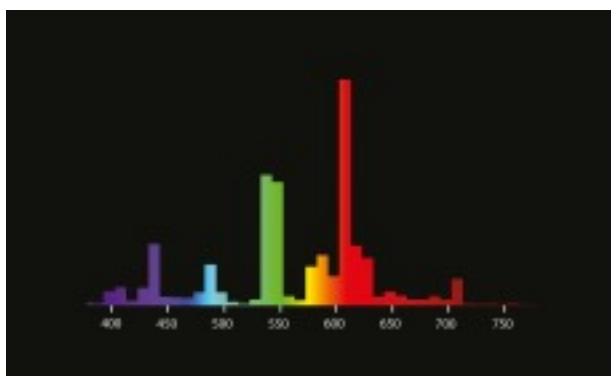
Lifespan

Service life	18000 h ¹⁾
Lifespan	20000 h ¹⁾
Rated lamp survival factor at 2,000 h	0.99
Rated lamp survival factor at 4,000 h	0.99
Rated lamp survival factor at 6,000 h	0.99
Rated lamp survival factor at 8,000 h	0.99
Rated lamp survival factor at 12,000 h	0.90
Operation mode LLMF/LSF	50 Hz

¹⁾ With preheat ECG

Additional product data

Base (standard designation)	G13
Appropriate disposal acc. to WEEE	Yes



Spectral power distribution

Capabilities

Suitable for indoor	Yes
---------------------	-----

Certificates & standards

EEI - Energy Label	A
--------------------	---

Lamp-ECG combination (System)

HF 1x36/230-240 DIM

Products

HF 1x36/230-240 DIM

HF 2x36/230-240 DIM

Products

HF 2x36/230-240 DIM

QT-FIT8 1x36

Products

QT-FIT8 1x36

QT-FIT8 2x36

Products

QT-FIT8 2x36

QT-FIT8 3x36

Products

QT-FIT8 3x36

QT-M 2x26-42/220-240 S

Products

QT-M 2x26-42/220-240 S

QTP-DL 1x36-40

Products

QTP-DL 1x36-40

QTP-DL 2x36-40

Products

QTP-DL 2x36-40

QTP-M 1x26-42

Products

QTP-M 1x26-42

QTP5 1x24-39

Products

QTP5 1x24-39

QTP5 2x24-39

Products

QTP5 2x24-39

QTP8 1x36

Products

QTP8 1x36/230-240

QTP8 2x36

Products

QTP8 2x36/230-240

QTi 1x14/24/21/39 GII

Products

QTi 1x14/24/21/39 GII

QTi 1x36 DIM

Products

QTi 1x36 DIM

QTi 2x14/24/21/39 GII

Products

QTi 2x14/24/21/39 GII

QTi 2x36 DIM

Products

QTi 2x36 DIM

QTi DALI 1x36 DIM

Products

QTi DALI 1x36 DIM

QTi DALI 2x36 DIM

Products

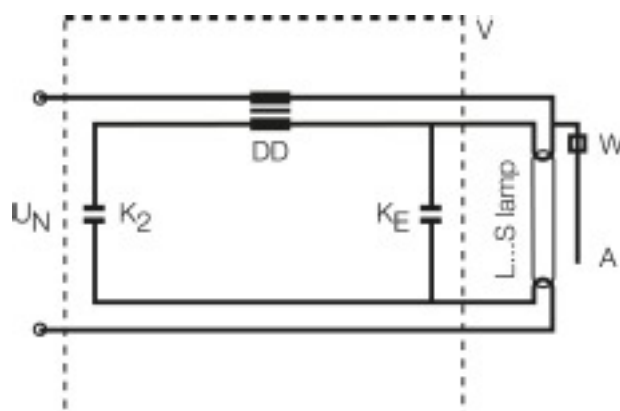
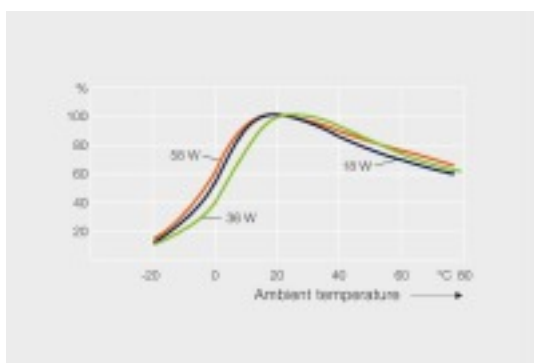
QTi DALI 2x36 DIM

System guarantee

OSRAM System+ Guarantee in combination with OSRAM ECGs

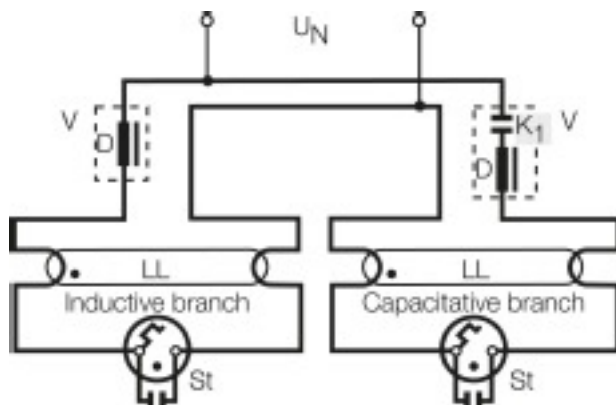
Safety advice

In case of lamp breakage: www.osram.com/brokenlamp



Others graphics

Circuit diagram



Circuit diagram

Logistical Data

Product code	Packaging unit (Pieces/Unit)	Dimensions (height x width x length)	Gross weight	Volume
4050300517896	Sleeves 1	27 mm x 27 mm x 1215 mm	202.00 g	0.89 dm ³
4050300517902	Shipping carton box 25	145 mm x 142 mm x 1242 mm	5450.00 g	25.57 dm ³

References / Links

For more information on the system guarantee and the terms and conditions of the guarantee visit

- ▶ www.osram.com/system-guarantee

For more information on QUICKTRONIC electronic control gear go to

- ▶ www.osram.com/QUICKTRONIC

Disclaimer

Subject to change without notice. Errors and omission excepted. Always make sure to use the most recent release.