

## HTM 105/230...240

---

HALOTRONIC-COMPACT | Electronic transformers for low-voltage halogen lamps



- Effect and accent lighting
- Living rooms
- Object lighting
- Conference rooms
- Restaurants
- Recessed and surface-mounted furniture fixtures
- Shop lighting
- Event rooms

### Product benefits

---

- Dimmable on the leading edge and trailing edge
- Very low power loss thanks to high efficiency
- Strain relief suitable for different cable types (HTM)
- Suitable for space-critical installation thanks to compact functional design
- Extremely compact transformer for highly space-critical installation conditions (HTN)
- Protective operation throughout the entire partial-load range for long lamp life

### Product features

---

- Line frequency: 50...60 Hz
- RI suppression: to EN 55015 (A1: 2007)/CISPR 15, EN 55022
- Line harmonics: to EN 61000-3-2
- Immunity: to EN 61547
- Safety: to EN 61347
- Electrical isolation between the primary side and the secondary side
- Short-circuit protection, overload protection, overtemperature protection: electronically reversible

## Technical data

---

### Electrical data

|  |                             |
|--|-----------------------------|
| <b>Lamp wattage</b>                            | 35...105 W                  |
| <b>Nominal voltage</b>                         | 230...240 V                 |
| <b>Line current</b>                            | 0.41 A <sup>1)</sup>        |
| <b>Output voltage</b>                          | 11.3 / 11.4 V <sup>2)</sup> |
| <b>Operating frequency</b>                     | 43 kHz <sup>3)</sup>        |
| <b>Rated power factor <math>\lambda</math></b> | 0.99                        |
| <b>Mains frequency</b>                         | 50...60 Hz                  |

<sup>1)</sup> Effectively

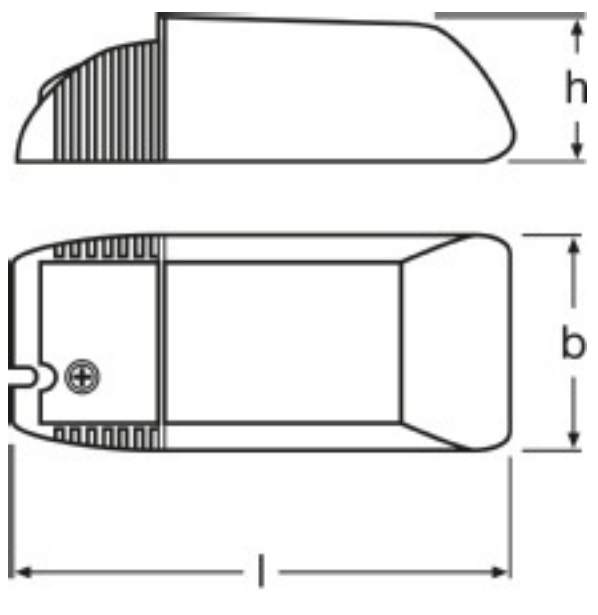
<sup>2)</sup> 105 W / 35 W

<sup>3)</sup> Approximately

### Dimensions & weight

|   |                           |
|---|---------------------------|
| <b>Length</b>                               | 108.0 mm                  |
| <b>Product weight</b>                       | 125.00 g                  |
| <b>Height</b>                               | 33.0 mm                   |
| <b>Width</b>                                | 52.0 mm                   |
| <b>Mounting hole spacing, width</b>         | -                         |
| <b>Wire preparation length, input side</b>  | 12 / 7.0 mm <sup>1)</sup> |
| <b>Wire preparation length, output side</b> | 12 / 7.0 mm <sup>1)</sup> |

<sup>1)</sup> Cable sheath / Wire



Product line drawing with letters

#### Additional product data

|                         |                          |
|-------------------------|--------------------------|
| <b>Design / version</b> | Compact with cable clamp |
|-------------------------|--------------------------|

#### Capabilities

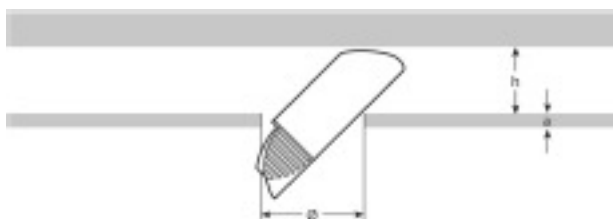
|   |  |
|---|--|
| <b>Dimmer</b>                                 | Trailing- or leading-edge phase control for inductive load dimmers |
| <b>Dimming range</b>                          | 0...100 %  |
| <b>Dimmable</b>                               | Yes  |
| <b>Overload protection</b>                    | Automatic reversible   |
| <b>Overheating protection</b>                 | Automatic reversible   |
| <b>Suitable for fixtures with prot. class</b> | II   |

#### Certificates & standards

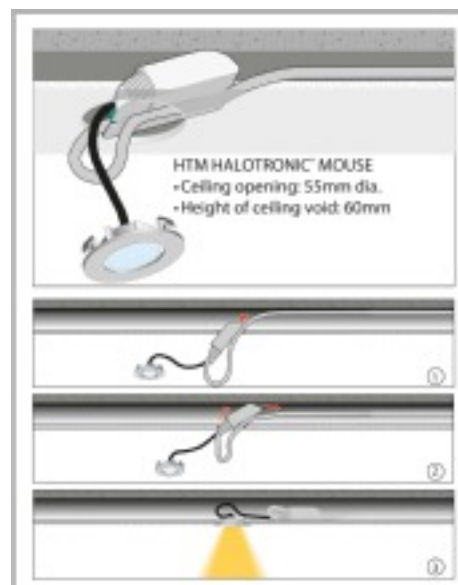
|                                  |                             |
|----------------------------------|-----------------------------|
| <b>Approval marks – approval</b> | VDE / VDE-EMC / E1 approval |
|----------------------------------|-----------------------------|

**Certificates & standards**

|                  |  |
|------------------|--|
| <b>Standards</b> | acc. to EN 55015:2006 + A1:2007 / acc. to EN 61000-3-2 / acc. to EN 61547 / acc. to EN 61047 / acc. to IEC 61347 |
|------------------|--|



Product line drawing assembling



Others graphics

**Logistical Data**

| Product code  | Packaging unit<br>(Pieces/Unit) | Dimensions (height x<br>width x length) | Gross weight | Volume               |
|---------------|---------------------------------|---|--------------|----------------------|
| 4050300442334 | Unpacked<br>1                   | - x - x -                               | 125.00 g     |                      |
| 4050300442341 | Shipping carton box<br>20       | 229 mm x 94 mm x<br>270 mm              | 2736.00 g    | 5.81 dm <sup>3</sup> |

## Disclaimer

---

Subject to change without notice. Errors and omission excepted. Always make sure to use the most recent release.